

**ENERGYSHROOM
PB600**



User Manual



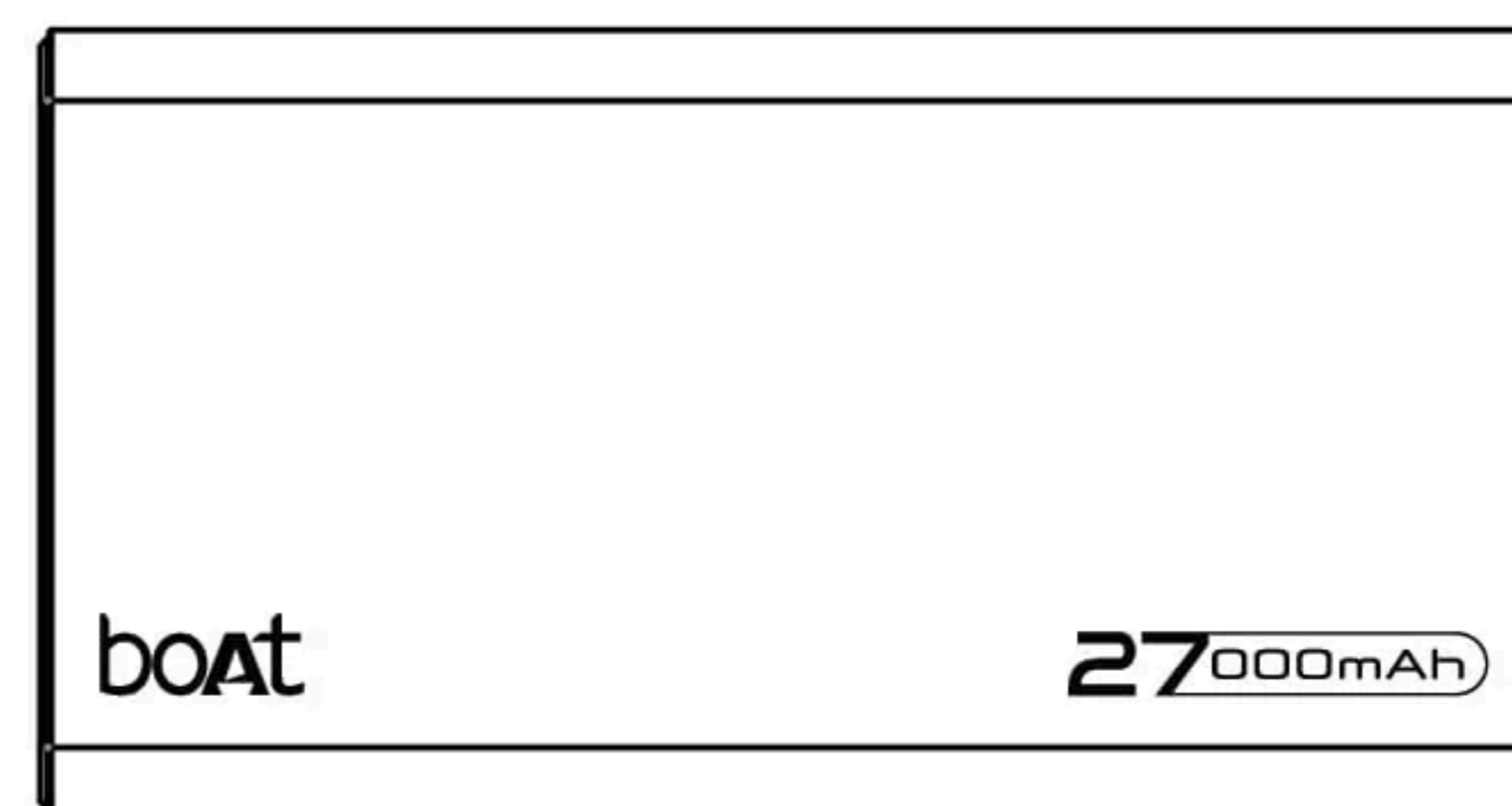
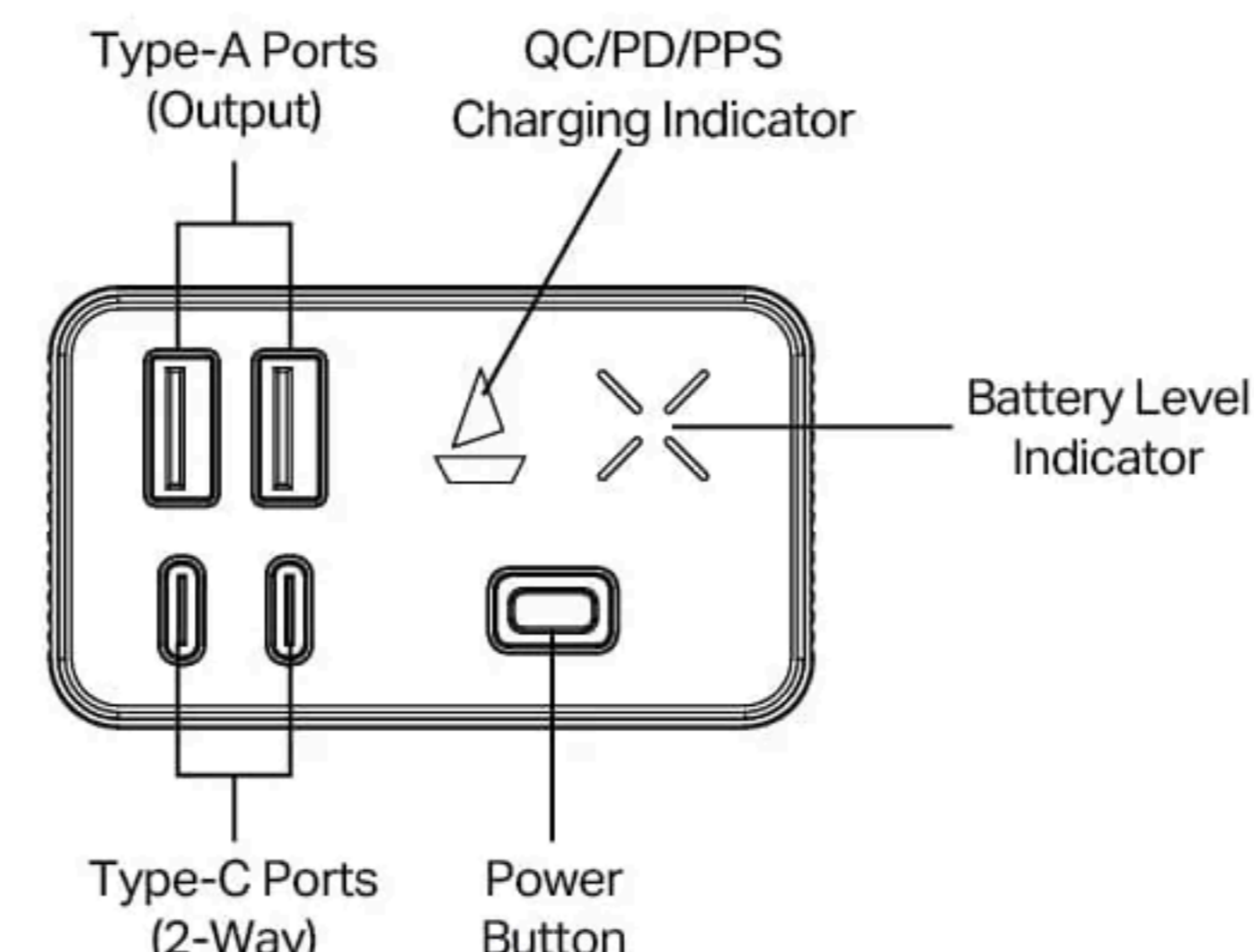
ENERGYSHROOM PB600

Thank you for choosing the EnergyShroom PB600 by boAt to power up your cherished devices. This high-capacity 27000mAh power bank with a Li-ion polymer battery is designed to deliver safe, fast, and efficient charging for multiple devices at once. This user manual will walk you through its key features, functions, and safety guidelines. Please read it carefully before first use to ensure a smooth and reliable experience, and feel free to refer back to these instructions whenever needed.

CONTENTS

- 1x EnergyShroom PB600
- 1x Manual
- 1x Type C Cable
- 1x Warranty Card

PRODUCT OVERVIEW



FEATURES

- **Dual 2-Way Type-C Input Ports:** Supports 2x Type-C (2-Way) input ports, allowing flexible charging with multiple adapter options.
- **Quad Output Support:** Equipped with 2x Type-C (2-Way) and 2x USB-A output ports, enabling you to charge up to four devices simultaneously.
- **Built-in 12-Layer Smart IC Protection:** Multi-layer safety protection against over-current, short circuit, over-charging, over-discharging, and temperature spikes.
- **LED Battery Level Indicators:** Intelligent input/output control with intuitive X-shaped LED indicators for battery level display and a green boAt logo LED to indicate fast charging.
- **22.5W Fast Charging with PPS:** Supports up to 22.5W fast charging with next gen charging protocols, QC 3.0, PD, and PPS support for compatible devices.
- **Durable & Travel-Friendly Build:** Designed with a sturdy and portable form factor offering high-temperature resistance and everyday scratch protection.
- **Pass-Through Charging:** Allows the power bank to charge itself while simultaneously charging connected devices.

LED FUNCTIONS

- Press the power button once to switch ON the LED indicators and view the charging/battery status.

1 LED in solid light	0-25%
2 LED in solid light	25-50%
3 LED in solid light	50-75%
4 LEDs solid	75-100%
Green LED (boAt Icon)	Fast Charging Active (QC 3.0 / PD / PPS)

- The LED indicators automatically turn ON during charging or discharging to show the current battery level.
- When the power bank or a connected device uses QC 3.0, Power Delivery, or PPS fast charging/discharging, the Green LED (boAt icon) will turn ON to indicate fast-charging mode.

Front

BUTTON FUNCTIONS

Use the power button on the top panel to access essential functions of your power bank:

Action	Function
Single Press	Turns on the LED indicators and displays the current battery level and charging status.
Double Press	Turns off the LED indicators and stops charging connected devices.
Press & Hold	Resets the power bank to its default state.

Note: The power bank automatically starts charging connected devices without needing to press the button. Use the power button only when you want to check battery status, stop charging manually, or reset the device.

CHARGING YOUR DEVICES

- Connect your device to the power bank using a USB-A (A1 / A2) or Type-C (C1 / C2) output port with a compatible cable.
- If charging does not begin automatically, press the power button once to start output charging.
- If your device supports QC 3.0, Power Delivery, or PPS fast charging, the Green LED (boAt Icon) will turn ON to indicate fast output charging.
- When the power button is pressed and held, the power bank will stop charging the connected device.

PASS-THROUGH CHARGING

The power bank supports Pass-Through Charging, allowing it to charge connected devices while the power bank itself is being charged simultaneously.

- When this feature is active, charging and discharging speeds may reduce slightly to maintain safe temperature and power management.
- For the best performance, use a PD or QC-compatible wall adapter along with certified Type-C cables.

WEEE INFORMATION

This device and any electrical accessories are compliant with local applicable rules on the restriction of the use of certain hazardous substances in electrical and electronic equipment

Disclaimer:
Features may vary by product model. For detailed specifications, please refer to the product user guide.
Due to ongoing improvements, specifications are subject to change without prior notice.
We continuously enhance our products to ensure the highest quality.

PRODUCT SPECIFICATION

Model	ENERGYSHROOM PB600
Capacity	27000mAh 3.7V (99.9Wh)
Rated Capacity	17550mAh (TYP 5V=2A)
Dimensions	132.12 mm × 69.20 mm × 40.60 mm
Battery Type	Li-ion Polymer
Input Ports	2 × Type-C (2-Way)
Output Ports	2 × Type-C (2-Way), 2 × USB-A
Input	Type-C 1 (2-Way): 5V=3A, 9V=2A, 12V=1.5A Type-C 2 (2-Way): 5V=3A, 9V=2A, 12V=1.5A
Output	Type-C 1 (2-Way): 5V=3A, 9V=2.22A, 12V=1.67A, 5V=11V=2A (PPS) Type-C 2 (2-Way): 5V=3A, 9V=2.22A, 12V=1.67A, 5V=11V=2A (PPS) USB-A 1: 5V=3A, 9V=2A, 10V=2.25A, 12V=1.5A (22.5W Max) USB-A 2: 5V=3A, 9V=2A, 10V=2.25A, 12V=1.5A (22.5W Max)
Fully Charged (with 12V=1.5A Adapter)	7 hours 43 minutes ± 10 min
Fully Discharged (with 18W Load)	4 hours 10 minutes ± 10 min
Operating Environment	-10°C to 55°C
Overcurrent Protection	3.6A ± 0.2A
Overcharging Voltage Protection	13.2V ± 0.2V
Short Circuit Protection	Available
Body Temperature Cut-off	Yes (55-60°C)

IMPORTANT USER INSTRUCTIONS

- Please utilize our standard Type C charging cable to charge the device.
- It is recommended to charge the power bank fully before its first use.
- Do not leave the power bank inside the car lying unattended.
- The product should be safeguarded against any physical shock or vibration.
- Keep out of reach of children.
- If the power bank gets discharged completely, make sure to quickly put it into charge.
- Do not leave the battery on charge for over 24 hours.
- Charging current and voltage should not exceed the maximum specified amount.

WARNING

- Do not drop, decompose, impact the device or repair it on your own.
- Do not put this product in water, exposed to fire or direct sunlight.
- Do not use the product around combustible gas. It may catch fire and/or cause burns.
- Do not disassemble or attempt to replace the Li-polymer battery under any circumstance, as it may damage the device permanently.

E- Waste Management

As per government rules, all E- wastes are to be managed by effective treatment under specialized methodologies prescribed by the Govt. of India. Do not dispose the product as unsorted municipal waste. The waste will be treated as per the norms set by the pollution control board. Please contact customer care for getting guidance on proper disposal of this product.

Back

CHARGING ENERGYSHROOM PB600

- Connect a Type-C cable to either Type-C input port (C1 or C2) of the power bank.
- Connect the other end to a USB-A or Type-C power adapter or a laptop/computer USB port.
- The LEDs will blink sequentially based on the current battery level. When fully charged, all 4 LEDs will glow solid.
- If you charge with a QC 3.0, PD, or PPS compatible fast charger, the Green LED (boAt Icon) will turn ON to indicate fast input charging.

Note: Charging through a laptop/computer USB port will be significantly slower than using a wall adapter.

CHARGING NORMS & PRECAUTIONARY GUIDELINES

Fully charge your power bank before first use.

- 1) Charger/Brick/Adapter : 5V/2A
 - 2) Cable/Wire : Standard Cable (35 strands @0.10mm diameter/ strand)
- Any other accessory can be paired up with the product as long as the specifications are as per above norms.